



# UNIVERSAL VOLTAGE POWER PACKS

POWER PACKS AND RELAYS

tradeSELECT®

## FEATURES

- Universal voltage: 120/277VAC; 50/60Hz
- Automatic voltage detection
- Electrical loads switching capability: maximum of 20 Amps
- Regulated 24VDC current; 150mA output
- Zero Arc Point Switching
- Plenum rated
- Mounts: inside or outside a junction box; inside a fixture
- Companion auxiliary relay device available (MPSA)



## RELATED PRODUCTS



## SPECIFICATIONS

### CONSTRUCTION

- 3.69" H x 2.33" W x 1.36" D (93.73mm H x 59.18mm W x 34.54mm D)
- 15 oz. (425.24 g)
- Black

### INSTALLATION

- Complies with requirements for use in a plenum area
- Plenum rated for external junction box mounting
- Mounts outside junction box via 1/2" EMT threaded nipple

### ELECTRICAL

- 120/277VAC; 50/60Hz
- 24VDC; 150mA nominal, isolated, and regulated
- 20A: 120VAC incandescent
- 20A: 120 or 277VAC ballast
- 1HP: 120 or 277VAC motor load

### OPERATION

- Indoor use only
- Operating temperature: 32° to 104°F (0° to 40°C)

### OPERATION CONTINUED

- Relative humidity (non-condensing): 0% to 95%

### CERTIFICATIONS

- UL and cUL listed

### WARRANTY

- 5 year warranty
- See [HLI Standard Warranty](#) for additional information

## ORDERING GUIDE

Example: UVPP

CATALOG #

### Model

- UVPP Universal Voltage Power Pack
- UVPPM1 Universal Voltage Power Pack with Manual ON/OFF Control

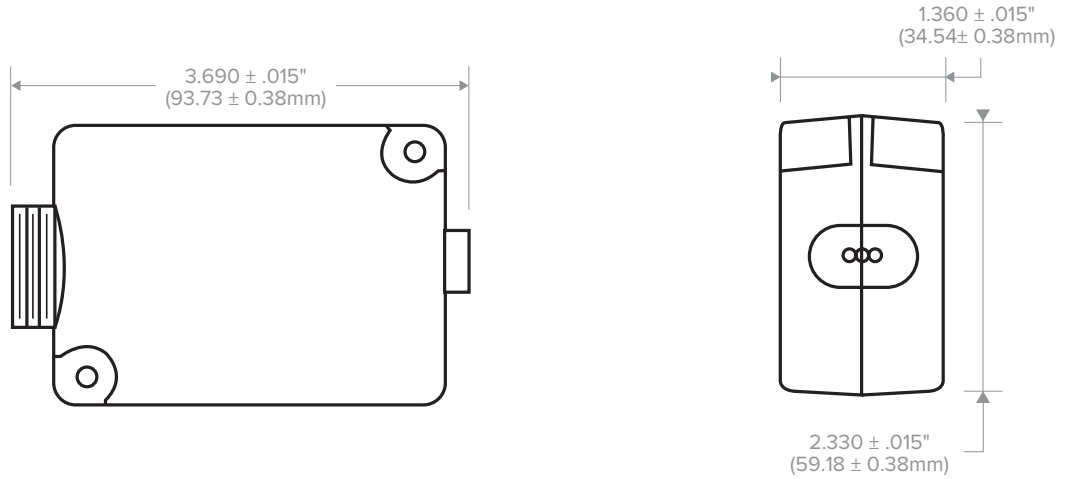
### Notes:

- 1 Low voltage momentary switch required for manual control (Sold separately).

# UNIVERSAL VOLTAGE POWER PACKS

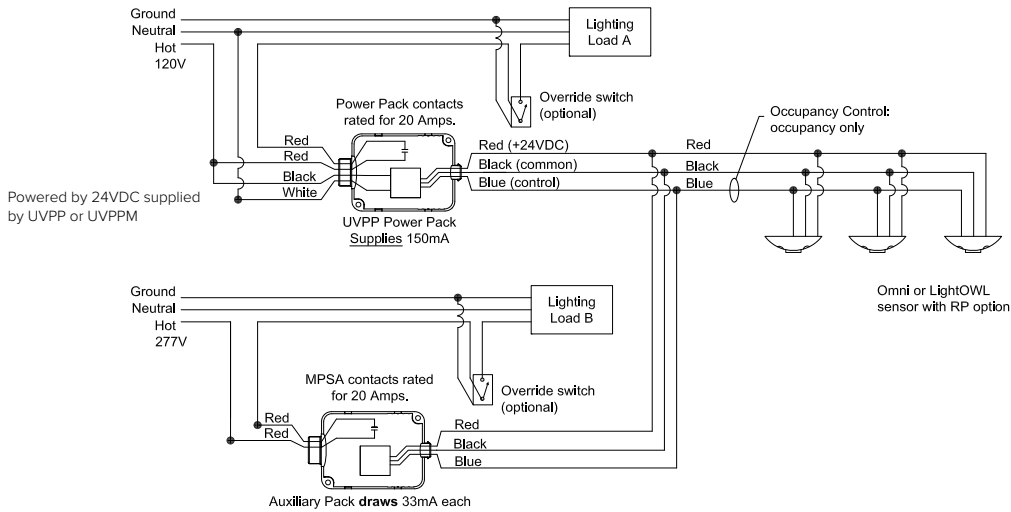
POWER PACKS AND RELAYS

## DIMENSIONS

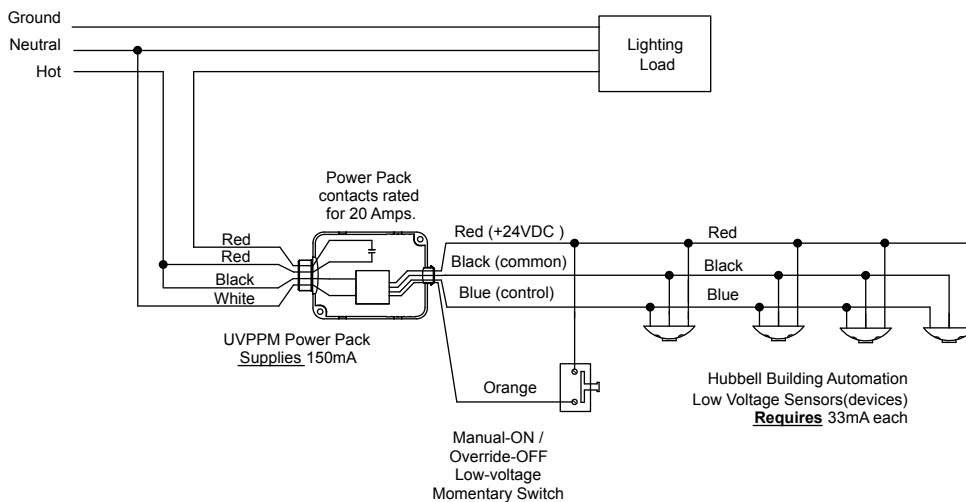


## ADDITIONAL INFORMATION

### Wiring Diagrams



UVPP Wiring Diagram



UVPPM Wiring Diagram